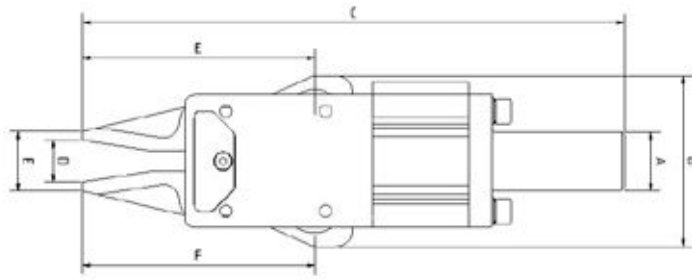


**GRIPPING PLIERS GZ32**



**Gripping pliers GZ32**

- Activity: double-acting.
- Sensor with 2m cable (version -90).
- Sensor with 0,3m cable M8 connector (version -95).

|                        | A  | B  | C   | D    | E  | F  | Depth | Piab No. |
|------------------------|----|----|-----|------|----|----|-------|----------|
| <b>GZ32-AS50-10-10</b> | 20 | 58 | 185 | 13.5 | 20 | 75 | 75    | 0213355  |
| <b>GZ32-AS50-10-95</b> | 20 | 58 | 185 | 14   | 40 | 75 | 75    | 0213357  |
| <b>GZ32-AS50-60-60</b> | 20 | 58 | 185 | 13.5 | 20 | 75 | 75    | 0213356  |
| <b>GZ32-AS50-00-00</b> | 20 | 58 | 185 | 13.5 | 20 | 75 | 75    | 0216312  |
| <b>GZ32-AS50-00-90</b> | 20 | 58 | 185 | 14   | 40 | 75 | 75    | 0216693  |
| <b>GZ32-AS50-00-95</b> | 20 | 58 | 185 | 14   | 40 | 75 | 75    | 0216694  |

**GZ32-AS50-10-10**

Product Code: GZ32-AS50-10-10  
 • With Knurled Jaws.



**GZ32-AS50-10-95**

Product Code: GZ32-AS50-10-95  
 • With Knurled Jaws and sensor.



**GZ32-AS50-60-60**

Product Code: GZ32-AS50-60-60  
 • With Padded Jaws.



**GZ32-AS50-00-00**

Product Code: GZ32-AS50-00-00



**GZ32-AS50-00-90**

Product Code: GZ32-AS50-00-90

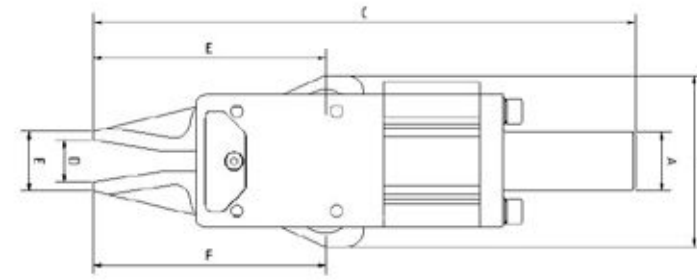


**GZ32-AS50-00-95**

Product Code: GZ32-AS50-00-95



**GRIPPING PLIERS GZ32**



**Gripping pliers GZ32**

- Activity: double-acting.
- Sensor with 2m cable (version -90).
- Sensor with 0,3m cable M8 connector (version -95).

|                        | A  | B  | C   | D    | E  | F  | Depth | Piab No. |
|------------------------|----|----|-----|------|----|----|-------|----------|
| <b>GZ32-AS50-10-40</b> | 20 | 58 | 185 | 13.5 | 20 | 75 | 75    | 0216313  |
| <b>GZ32-AS50-10-60</b> | 20 | 58 | 185 | 13.5 | 20 | 75 | 75    | 0216314  |
| <b>GZ32-AS50-10-90</b> | 20 | 58 | 185 | 14   | 40 | 75 | 75    | 0216315  |
| <b>GZ32-AS50-60-90</b> | 20 | 58 | 185 | 14   | 40 | 75 | 75    | 0216316  |
| <b>GZ32-AS50-60-95</b> | 20 | 58 | 185 | 14   | 40 | 75 | 75    | 0216317  |

**GZ32-AS50-10-40**

Product Code: GZ32-AS50-10-40



**GZ32-AS50-10-60**

Product Code: GZ32-AS50-10-60



**GZ32-AS50-10-90**

Product Code: GZ32-AS50-10-90



**GZ32-AS50-60-90**

Product Code: GZ32-AS50-60-90

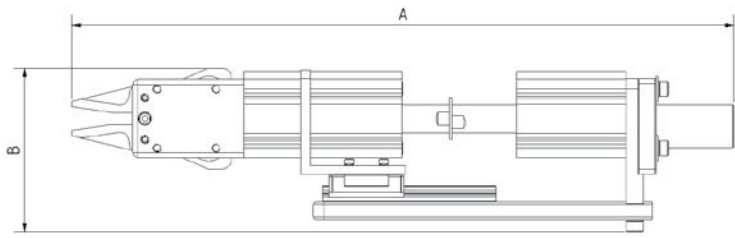


**GZ32-AS50-60-95**

Product Code: GZ32-AS50-60-95



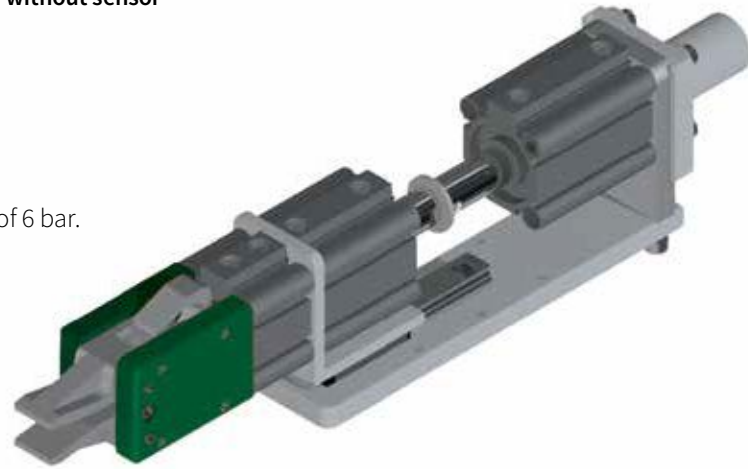
**GRIPPING PLIERS GZE32**



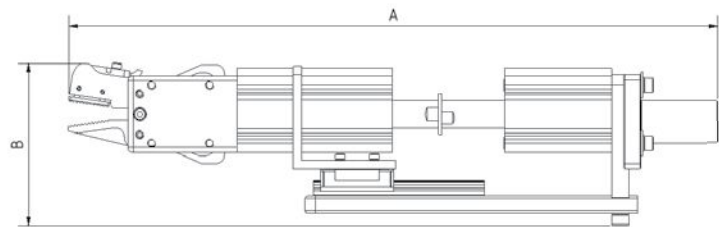
|                                | A   | B  | Depth | Piab No. |
|--------------------------------|-----|----|-------|----------|
| <b>GZE321010 - DH3020 - 25</b> | 382 | 90 | 45    | 0213360  |
| <b>GZE321010 - DH1010 - 25</b> | 322 | 90 | 45    | 0213359  |
| <b>GZE326060 - DH2010 - 25</b> | 342 | 75 | 40    | 0213361  |
| <b>GZE326060 - DH3020 - 25</b> | 382 | 75 | 40    | 0213362  |
| <b>GZE321060 - DH2010 - 25</b> | 382 | 75 | 40    | 0216320  |
| <b>GZE321060 - DH3020 - 25</b> | 382 | 75 | 40    | 0216321  |

**Gripping pliers unit GZE25 / GZE32 with double stroke and without sensor**

- Activity: double-acting.
- Fixing possibility on two sides.
- Ball-bearing slides with precision guidance.
- Adjustable low profile linear guide.
- The heavy-duty solution with double stroke.
- Holding load of 375N / 265N at a working pressure of 6 bar.
- For distance clips refer to page 117.
- Other strokes available as needed.
- Pneumatic connections G1/8 / M5.
- Connection diameter 25 mm.



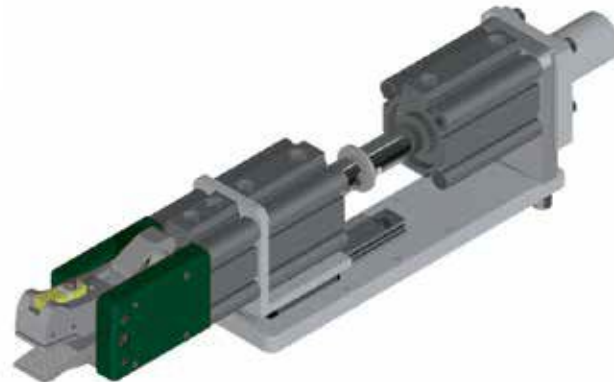
**GRIPPING PLIERS GZE32**



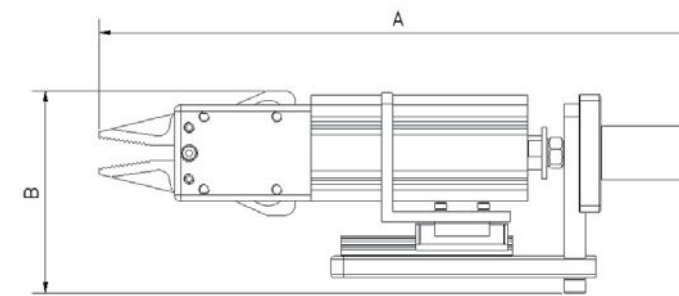
|                                | A   | B  | Depth | Piab No. |
|--------------------------------|-----|----|-------|----------|
| <b>GZE321095 - DH2010 - 25</b> | 342 | 90 | 45    | 0213363  |
| <b>GZE321095 - DH3020 - 25</b> | 382 | 90 | 45    | 0213364  |

**Gripping pliers unit GZE25 / GZE32 with double stroke and sensor**

- Activity: double-acting.
- Fixing possibility on two sides.
- Adjustable low profile linear guide.
- Sensor with 2m cable (version -90).
- Sensor with 0.3 m cable and M8 connector (version -95).



**GRIPPING PLIERS GZE32**



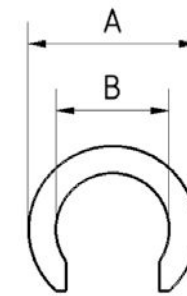
|                              | A   | B  | Depth | Piab No. |
|------------------------------|-----|----|-------|----------|
| <b>GZE321010 - EH10 - 25</b> | 259 | 90 | 45    | 0213408  |
| <b>GZE321010 - EH20 - 25</b> | 269 | 90 | 45    | 0213409  |
| <b>GZE321060 - EH20 - 25</b> | 382 | 75 | 40    | 0216322  |
| <b>GZE326060 - EH10 - 25</b> | 259 | 90 | 45    | 0213410  |
| <b>GZE326060 - EH10 - 25</b> | 269 | 90 | 45    | 0213411  |

**Gripping pliers unit GZE25 / GZE32 with single stroke and without sensor**

- Activity: double-acting.
- Fixing possibility on two sides.
- Adjustable low profile linear guide.
- The heavy-duty solution with single stroke.
- Holding load of 375N / 265N at a working pressure of 6 bar.
- Other strokes available as needed.
- Pneumatic connections G1/8 / M5.
- Connection diameter 25 mm.



**DISTANCE CLIPS**



- Distance clips used to reduce the strokes of cylinders.
- Material: plastic

|                  | A  | B  | Depth | Piab No. |
|------------------|----|----|-------|----------|
| <b>DK16 - 3</b>  | 24 | 16 | 3     | 0213379  |
| <b>DK16 - 5</b>  | 24 | 16 | 5     | 0213380  |
| <b>DK16 - 10</b> | 24 | 16 | 10    | 0213378  |

